

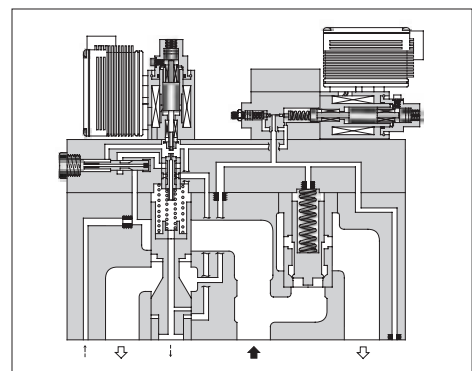
High Flow Series Proportional Electro-Hydraulic Flow Control and Relief Valves

This flow control and relief valve is a energy-saving valve that supplies the minimum pressure and flow necessary for actuator drive. For the High Flow Series, double maximum flow rate [03 size: 125 → 250 L/min (33 → 66 U.S.GPM), 06 size: 250 → 500 L/min (66 → 132 U.S.GPM)] enables a smaller valve size than conventional products; compact-sized devices can be provided.

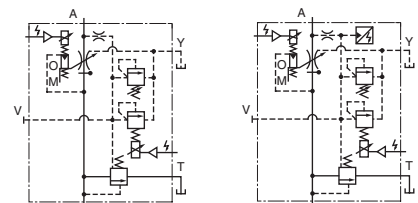
Specifications

Model Numbers		EHFBG-03-250	EHFBG-06-500	
Description				
Max. Operating Pressure	MPa (PSI)	24.5 (3550)	24.5 (3550)	
Max. Flow	L/min (U.S.GPM)	250 (66)	500 (132)	
Metred Flow Capacity	L/min (U.S.GPM)	2.5-250 (.66-66)	5-500 (1.32-132)	
Min. Pilot Pressure	MPa (PSI)	1.5 (215)	1.5 (215)	
Pilot Flow	at Normal	1 (.26)	1 (.26)	
	at Transition	4 (1.06)	6 (1.59)	
Differential Pressure	MPa (PSI)	0.8 (115)	0.9 (130)	
Flow Controls	Hysteresis	3% or less		
	Repeatability	1%* or less		
	Input Signal	Max. Flow / 5 V DC		
	Coil Resistance	10 Ω		
	Supply Electric Power	24 V DC (21 to 28 V DC Included Ripple)		
	Input Impedance	10 kΩ		
	Power Input (Max.)	28 W		
Pressure Controls	Pres. Adj. Range	MPa (PSI) Adj. Range: C	1.6-15.7 (230-2275)	1.5-15.7 (215-2275)
		MPa (PSI) Adj. Range: H	1.8-24.5 (260-3550)	1.5-24.5 (215-3550)
	Hysteresis	3% or less		
	Repeatability	1%* or less		
	Coil Resistance	10 Ω		
	Input Signal	Max. Operating Pres. / 5 V DC		
	Supply Electric Power	24 V DC (21 to 28 V DC Included Ripple)		
	Input Impedance	10 kΩ		
	Power Input (Max.)	28 W		
	Output Signal	C : 5 V DC / 15.7 MPa (2275 PSI) H : 5 V DC / 24.5 MPa (3550 PSI)		
Ambient Temperature	0 - 50°C (32 - 122°F) (With Circulated Air)			

* The repeatability of the valves is obtained by having it tested independently on the conditions similar to its original testing.

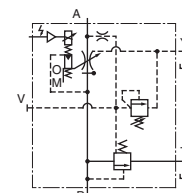


Graphic Symbols



Models with Proportional Pilot Relief Valve

Models with Proportional Pilot Relief Valve and Sensor



Models without Proportional Pilot Relief Valve



External Pilot Pres. Connection

Model Number Designation

F-	EHFB	G	-03	-250	-C	-E	-S	-50
Special Seals	Series Number	Type of Mounting	Valve Size	Max. Metred Flow L/min (U.S.GPM)	Pilot Relief Valve Pres. Adj. Range	Pilot Connection of Flow Control	Pressure Controls	Design Number
F: Special Seals for Phosphate Ester Type Fluid (Omit if not required)	EHFB: Proportional Electro-Hydraulic Flow Control and Relief Valve	G: Sub-plate Mounting	03	250: 125 (66)	None: Without Proportional Pilot Relief Valve C, H: See Specifications	None: Internal Pilot E: External Pilot	None: Open-Loop	50
			06	500: 500 (132)			S: Open-Loop with Sensor	